

# Bike Racks

GENERAL INFORMATION	
Bike Racks - Fit Guide	190
How to install a Thule Bike Rack	195
Overview installation dimensions	196
General safety instructions	197
Security	198

BIKE RACKS FOR REAR WALL	
Thule Lift V16 (Manual - 12V)	199
Thule Excellent (Standard - Short)	201
Thule Elite G2 (Standard - Short - Hymer Hooks)	203
Thule Elite G2 One Bike	205
Thule Sport G2 (Standard - Short - Tour - Hobby - Universal)	207
Thule Essential (Standard - Short)	211

BIKE RACKS FOR GARAGE	
Thule VeloSlide (Standard - Short)	213
Thule Sport G2 Garage	215

BIKE RACKS FOR A-FRAME	
Fit Guide	217
Thule Caravan Superb (Standard - Short)	219
Thule Caravan Superb XT - Black (Standard - Short)	221
Thule Caravan Smart	223
Thule Caravan Light	225

BIKE RACKS FOR VAN REAR DOOR	
Thule WanderWay	227
Thule VeloTrack	228
Thule Elite Van XT (Anodised - Black)	230
Thule Sport G2 Compact	233

BIKE RACKS FOR TOW BAR	
Thule VeloSpace 3	234

# Bike Racks - Fit Guide

	Thule Lift V16 Manual	Thule Lift V16 12V motor	Thule Excellent Standard	Thule Excellent Short	Thule Elite G2 Standard	Thule Elite G2 Short
Product N°	307368	307369	Ano: 309821 Black: 302033	309822	306560	306561
Motorhome	•	•	•	•	•	•
Caravan rear	•	•	•	•	•	•
Caravan A-frame						
Van						
Compact Van						
Standard number of bikes	2	2	2	2	2	2
Max. number of bikes (optional)	3	3	4	4	4	4
Max. loading weight	50 kg	50 kg	60 kg	60 kg	60 kg	60 kg
Max. bike weight	30 kg	30 kg	30 kg	30 kg	30 kg	30 kg
Max. tire width	2.75" / 70 mm	2.75" / 70 mm	2.75" / 70 mm	2.75" / 70 mm	2.75" / 70 mm	2.75" / 70 mm
Suitable for e-bikes	•	•	•	•	•	•
Sliding rails left - right			•	•	•	•
Sliding rails in depth			•	•		
Lockable platform	manual	manual	automatic	automatic	manual	manual
Bike holders	integrated locks	integrated locks	integrated locks	integrated locks	integrated locks	integrated locks
Weight	17 kg	18.1 kg	10.6 kg	10.6 kg	10.1 kg	9.5 kg

## Bike Racks - Fit Guide

	Thule Elite G2 One Bike	Thule Sport G2 Standard	Thule Sport G2 Short	Thule Sport G2 Tour	Thule Sport G2 Hobby	Thule Sport G2 Universal
Product N°	302047	307126	307127	306572	307128	306563
Motorhome	•	•	•	•		
Caravan rear	•	•	•	•	•	•
Caravan A-frame						
Van						
Compact Van						
Standard number of bikes	1	2	2	2	2	2
Max. number of bikes (optional)	1	3	3	3	3	2
Max. loading weight	30 kg	50 kg	50 kg	50 kg	50 kg	38 kg
Max. bike weight	30 kg	19 kg	19 kg	19 kg	19 kg	19 kg
Max. tire width	2.75" / 70 mm	2.1" / 53 mm	2.1" / 53 mm	2.1" / 53 mm	2.1" / 53 mm	2.1" / 53 mm
Suitable for e-bikes	•					
Sliding rails left - right	•	•	•	•	•	•
Sliding rails in depth						
Lockable platform	manual	manual	manual	manual	manual	manual
Bike holders	integrated locks	optional locks	optional locks	optional locks	optional locks	optional locks
Weight	6.7 kg	8.2 kg	7.9 kg	6.8 kg	6.8 kg	8 kg

# Bike Racks - Fit Guide

	Thule Essential Standard	Thule Essential Short	Thule VeloSlide Standard	Thule VeloSlide Short	Thule Sport G2 Garage	Thule Caravan Superb Standard
Product N°	309825	309826	302014	302044	306574	307130
Motorhome	•	•	•	•	•	
Caravan rear	•	•				
Caravan A-frame						•
Van				•		
Compact Van						
Standard number of bikes	2	2	2	2	2	2
Max. number of bikes (optional)	3	3	2	2	4	3
Max. loading weight	50 kg	50 kg	70 kg	70 kg	50 kg	60 kg
Max. bike weight	19 kg	19 kg	35 kg	35 kg	19 kg	30 kg
Max. tire width	2.1" / 53 mm	2.1" / 53 mm	5" / 127 mm	5" / 127 mm	2.1" / 53 mm	2.1" / 53 mm
Suitable for e-bikes			•	•		•
Sliding rails left - right	•	•			•	
Sliding rails in depth						
Lockable platform	manual	manual	automatic	automatic		manual
Bike holders	optional locks	optional locks	optional locks	optional locks	optional locks	integrated locks
Weight	7.9 kg	7.1 kg	20.9 kg	19.9 kg	5.6 kg	9.7 kg

## Bike Racks - Fit Guide

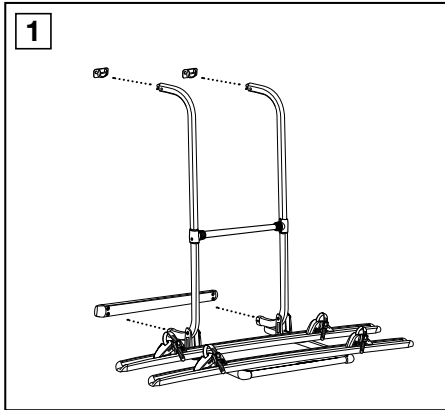
	Thule Caravan Superb Short	Thule Caravan Superb XT Black Standard	Thule Caravan Superb XT Short	Thule Caravan Smart	Thule Caravan Light	Thule WanderWay VW T6
Product N°	307329	302031	Ano: 302078 Black: 302030	307129	306598	911001
Motorhome						
Caravan rear						
Caravan A-frame	•	•	•	•	•	
Van						
Compact Van						•
Standard number of bikes	2	2	2	2	2	2
Max. number of bikes (optional)	2	3	2	2	2	4
Max. loading weight	60 kg	60 kg	60 kg	50 kg	40 kg	60 kg
Max. bike weight	30 kg	30 kg	30 kg	30 kg	20 kg	30 kg
Max. tire width	2.1" / 53 mm	2.75" / 70 mm	2.75" / 70 mm	2.1" / 53 mm	2.1" / 53 mm	3" / 76 mm
Suitable for e-bikes	•	•	•	•		•
Sliding rails left - right						•
Sliding rails in depth						
Lockable platform	manual	manual	manual	manual	n.a.	n.a.
Bike holders	integrated locks	integrated locks	integrated locks	integrated locks	straps	integrated locks
Weight	9.6 kg	10 kg	9.9 kg	8.9 kg	4.7 kg	13.9 kg

# Bike Racks - Fit Guide

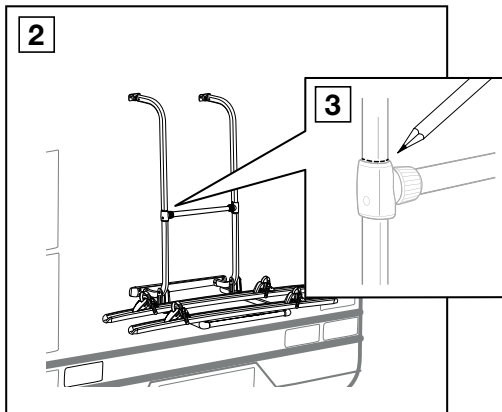
	Thule Sport G2 Compact	Thule Elite Van XT Anodised - Black Du/Ju/Bo > 2007	Thule Elite Van XT Black VW Crafter > 2017	Thule Elite Van XT Black Sprinter > 2006 VW Crafter < 2017	Thule Elite Van XT Black Ford Transit H3	Thule VeloTrack frame DuJuBo
Product N°	307341	Ano: 307340 Black: 302013	302018	302043	302067	302070
Motorhome						
Caravan rear						
Caravan A-frame						
Van	•	•	•	•	•	•
Compact Van						
Standard number of bikes	2	2	2	2	2	2
Max. number of bikes (optional)	2	2	2	2	2	3
Max. loading weight	35 kg	35 kg	35 kg	35 kg	35 kg	60 kg
Max. bike weight	19 kg	19 kg	19 kg	19 kg	19 kg	30 kg
Max. tire width	2.1" / 53 mm	2.75" / 70 mm	2.75" / 70 mm	2.75" / 70 mm	2.75" / 70 mm	3"
Suitable for e-bikes						•
Sliding rails left - right						No
Sliding rails in depth						No
Lockable platform	manual	manual	manual	manual	manual	Manual
Bike holders	optional locks	integrated locks	integrated locks	integrated locks	integrated locks	integrated locks
Weight	7.2 kg	10.5 kg	10.5 kg	10.5 kg	10.5 kg	23.8 kg

# How to install a Thule Bike Rack

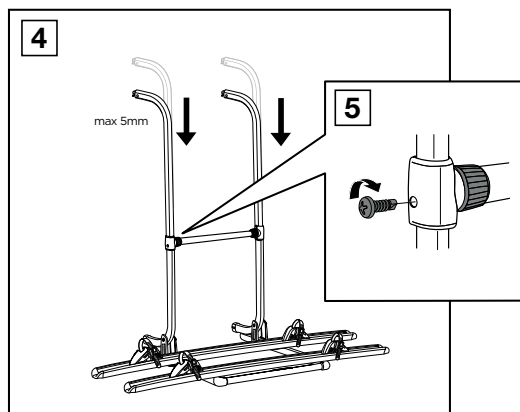
Instructions for the installation of a rear-mounted bike rack with extra tension: to avoid rattling during travel.



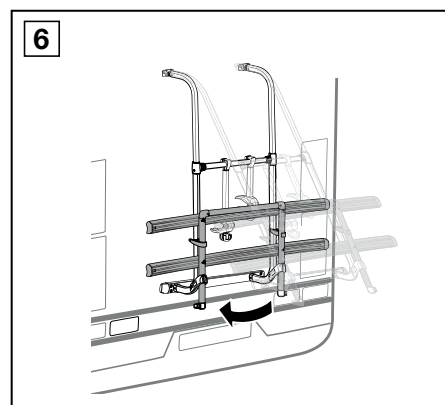
1. Unpack the bike rack, prepare the base frame for installation. Indicate the position of the fixation points on the vehicle wall. Attach the fixation points on the wall.



2. Adhere the bike rack to the wall.
3. Indicate the position of the telescopic arms.



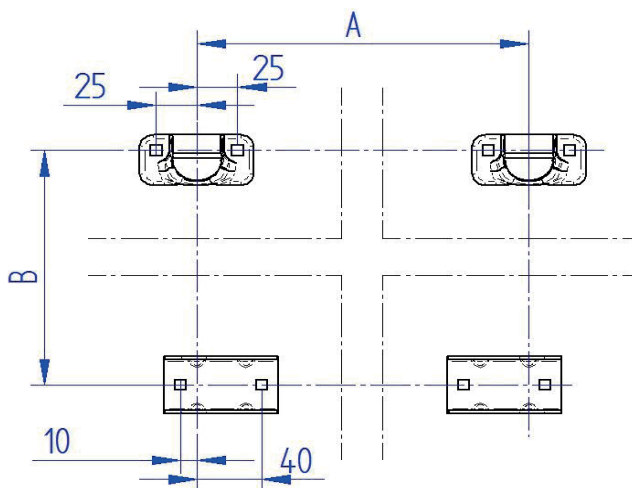
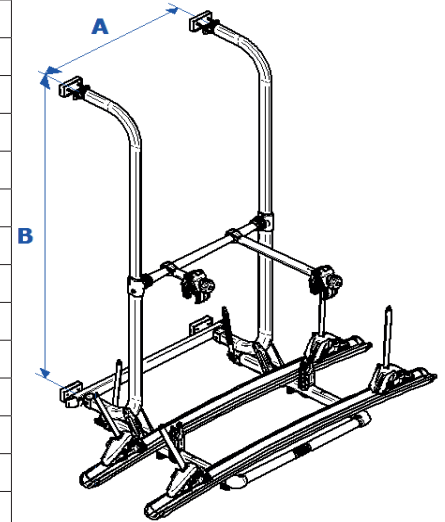
4. Detach the bike rack from the vehicle. Move the telescopic arms downwards by approximately 3 to 5 mm.
5. Fix the telescopic arms with screws.



6. Adhere the bike rack and fix it with bolts. Complete the installation.

# Overview installation dimensions

PRODUCT	SKU NO	A	B
Thule Lift V16 manual	307368	600 mm	700-950 mm
Thule Lift V16 12V motor	307369	600 mm	700-950 mm
Thule Excellent Standard	309821	600 mm	800-1500 mm
Thule Excellent Standard Black	302033	600 mm	800-1500 mm
Thule Excellent Short	309822	600 mm	600-800 mm
Thule Elite G2 Standard	306560	600 mm	800-1500 mm
Thule Elite G2 Short	306561	600 mm	500-800 mm
Thule Elite G2 HH	306562	600 mm	800-1500 mm
Thule Elite G2 One Bike	302047	600 mm	800-1500 mm
Thule Sport G2 Standard	307126	600 mm	800-1500 mm
Thule Sport G2 Short	307127	600 mm	400-700 mm
Thule Sport G2 Tour	306572	600 mm	800-1500 mm
Thule Sport G2 Hobby	307128	600 mm (rail)	880-1370 mm
Thule Sport G2 Universal	306563	800 mm	1350-1750 mm
Thule Essential Standard	309825	600 mm	800-1500 mm
Thule Essential Short	309826	600 mm	400-700 mm
Thule Sport G2 Garage	306574	n.a.	n.a.
Thule Elite Van XT	307340	n.a.	1180 mm
	302013	n.a.	1180 mm
	302018	n.a.	1180 mm
	302043	n.a.	1180 mm
Thule Sport G2 Compact	307341	550 mm	800-1500 mm



For mounting rails the horizontal dimensions are variable.

Thule Top Mounting Rail	309828
Thule Bottom Mounting Rail	306946
Thule Bottom Mounting Rail without counter plates	308954

# General Safety Instructions

1. Thule absolves itself of responsibility for any personal injuries or consequential damage to property or wealth caused by incorrect fitting or usage.
2. The bike rack must be assembled and fitted securely in accordance with the instructions.
3. Firstly, make sure the wall - where the bike rack is to be placed - is solid. If not, please reinforce.
4. The bike rack or the transported goods must not cover the vehicle's rear light.
5. The vehicle's driver is solely responsible for ensuring the products are in faultless state and that both the rack and load are securely fastened.
6. Always put the biggest/heaviest bike first and closest to the car. Then position the smaller/lighter bike.
7. Before departure all loose parts should be detached from the bikes, such as childseats, baskets, locks and cycle pumps etc. The bikes should never contain loose items during transport as these could cause danger to others.
8. Always fasten all bikes to the bike rack frame by means of the included long strap.
9. Make sure that belts and other fasteners are secure. Retighten if necessary.
10. The vehicle's total length increases when the bike rack is attached. The bikes themselves may increase the vehicle's total width and height. Special care has to be taken when reversing and/or entering garages, ferries etc.
11. Immediately replace any damaged or worn parts.
12. The car's on-road behaviour may change especially when making turns and during braking when the bike rack is installed on the vehicle.
13. Applicable speed limits and other traffic regulations must always be respected.
14. Speed should always be adjusted to suit safety considerations with regard to traffic conditions and the load being carried.
15. If projecting more than 40cm beyond the outer edge of the light emitting surface of the clearance resp. position lamps of the rear mounted carrier, the load shall be provided to the front with a white lamp at the side, not more than 40 cm from its edge and not more than 1.5m above the lane. A red lamp shall be visible towards the rear.
16. For vehicles first type-approved after 1 October 1998, the rear-mounted carrier or the transported goods are not allowed to cover the vehicle's third brake light (ISO). The vehicle's brakelight shall be visible from the left and the right sides as follows: relative to the vehicle's longitudinal axis at a 10 degree horizontal angle, upwards; relative to the upper edge of the lamp - at a 10 degree vertical angle downwards, relatively to the lower edge of the lamp at a 5 degree vertical angle. If these requirements are not met, an optional replacement brake light shall be fitted (Not applicable for roof mounted bike racks).
17. The rack is constructed to carry standard-bike-frames. Tandem bikes must not be carried.
18. Modifications to this product are strictly prohibited.
19. Clean the bike rack regularly, using warm water or car shampoo. Especially when used in coastal areas (salt-water-sand) or during times when salt is being used on the roads.
20. Make sure the bike rack is still securely fitted after driving a short distance (50 km) and thereafter at regular intervals.
21. Keep the instructions safely in the car.

# Security

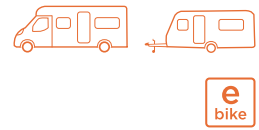
## Thule One-Key System

- Install or replace all lock cylinders on your Thule products and use the same key for all of them
- Available in packs of 4, 6, 8, 12 or 16 lock cylinders

450400	Thule One-Key System 4-pack
450600	Thule One-Key System 6-pack
450800	Thule One-Key System 8-pack
451200	Thule One-Key System 12-pack
451600	Thule One-Key System 16-pack



# Thule Lift V16



## INFO

### Thule Lift V16 - Manual

- 2 bikes, extendable to 3
- Weight 17 kg
- Max. loading weight 50 kg
- Max. bike weight 30 kg
- Rail distance 15 cm
- For vertical walls between 70-95 cm
- Suitable for e-bikes



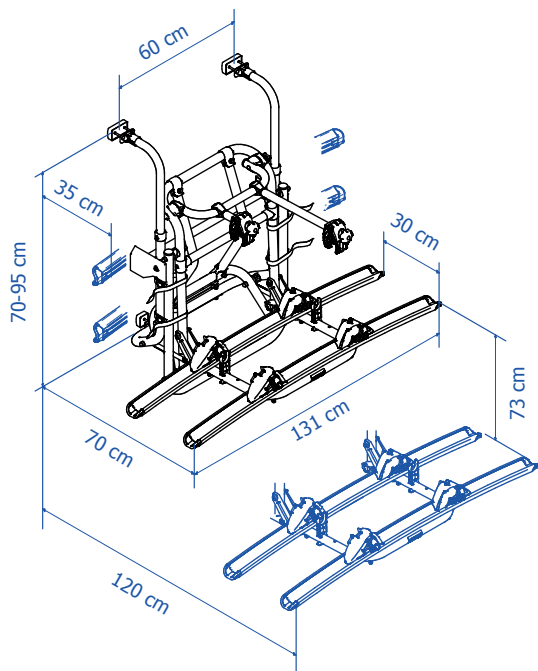
### Thule Lift V16 - Motor 12V

- 2 bikes, extendable to 3
- Weight 18.1 kg
- Max. loading weight 50 kg
- Max. bike weight 30 kg
- Rail distance 15 cm
- For vertical walls between 70-95 cm
- Suitable for e-bikes



## FEATURES

- 2 versions available: with hand crank or with 12V motor
- Recommended for vertical motorhomes or caravan walls
- The motor enables you to lower the platform in only 40 seconds
- The hand crank allows you to lower the platform manually
- The platform can bridge a distance of 70 cm in height
- The lowest position of the platform allows you to easily load and unload the bikes
- Easy mounting of bikes through detachable bike holders with lockable Thule AcuTight torque limiter knobs that click when optimal torque is reached
- Adjustable wheel holders with straps featuring a pump buckle tensioning system to easily secure the bike wheels
- The platform lock creates excellent dynamic force control and perfectly secures the bikes during transport
- The platform is locked manually and can easily be clicked in the upward position when not being used
- The lifting frame is nice and tight during the ride thanks to the integrated safety straps



**ELONGATION KIT**



Thule Lift V16 Elongation Kit  
 Set of 2 longer arms - makes it possible to extend the mounting range of the Thule Lift V16 bike rack up to 95-150 cm  
 See 'Bike Rack Accessories'

**EXTENSION KIT**



Thule Lift V16 3rd Rail Kit  
 Rail + bike holder  
 See 'Bike Rack Accessories'

**ACCESSORIES**

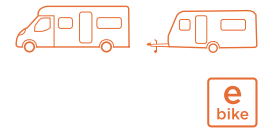
- Thule Fatbike Rail
- Thule Strap Lock
- Thule Rear Warning Sign
- Thule Brake Straps
- Thule Bike Frame Adapter

307368	Thule Lift V16 - Manual
307369	Thule Lift V16 - Motor 12V
307370	Thule Lift V16 3rd Rail Kit
307371	Thule Lift V16 Elongation Kit 95-150 cm



User instructions

# Thule Excellent



Thule Excellent - Standard



Thule Excellent - Short

## INFO

### Thule Excellent - Standard

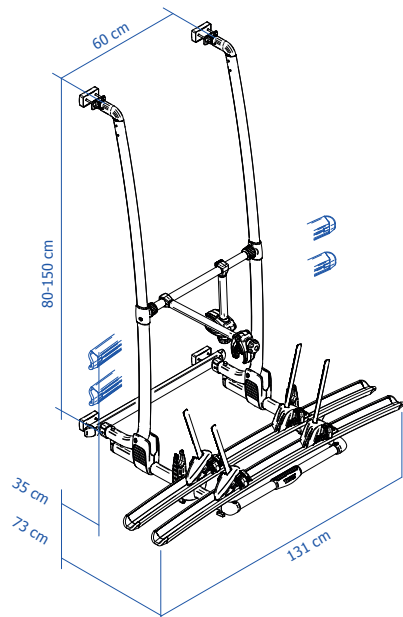
- 2 bikes, extendable to 3 or 4
- Weight 10.6 kg
- Max. loading weight 60 kg
- Max. bike weight 30 kg
- Max. bike weight 4<sup>th</sup> rail 15 kg
- Rail distance 15 cm
- For vertical walls between 80-150 cm
- Suitable for e-bikes
- Finish: anodised or black
- This product is compliant with UN ECE R10 regulations (E4\_R26R04/00\*0616\*\*00, issued on 07/02/2024)

### Thule Excellent - Short

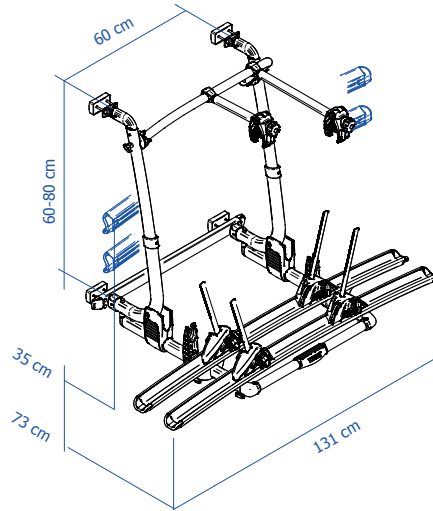
- 2 bikes, extendable to 3 or 4
- Weight 10.6 kg
- Max. loading weight 60 kg
- Max. bike weight 30 kg
- Max. bike weight 4<sup>th</sup> rail 15 kg
- Rail distance 15 cm
- For vertical walls between 60-80 cm
- Suitable for e-bikes

## FEATURES

- Recommended for vertical motorhomes or caravan walls
- Stylish black design (standard version)
- Top safety and functionality
- Extra strong aluminium which guarantees stability and reliability
- Sliding rails – easily adjustable in depth and from left to right
- Adjustable wheel holders with straps featuring a pump buckle tensioning system to easily secure the bike wheels
- Easy mounting of bikes through detachable bike holders with lockable Thule AcuTight torque limiter knobs that click when optimal torque is reached
- The platform lock creates excellent dynamic force control and perfectly secures the bikes during transport
- The platform is locked automatically and can easily be clicked in the upward position when not being used
- Fits all pre-installed fixation points and rails (except for Hymer)
- Standardly equipped with a Thule Bottom Mounting Rail (anodised)



Thule Excellent - Standard



Thule Excellent - Short

**EXTENSION KITS**

	<p>Thule Excellent 3rd Rail Kit Rail + bike holder</p> <p>See 'Bike Rack Accessories'</p>
	<p>Thule Excellent 4th Rail Kit Rail + adapter + bike holder</p> <p>See 'Bike Rack Accessories'</p>

**ACCESSORIES**

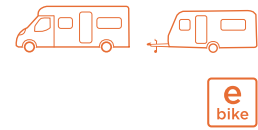
- Thule Fatbike Rail
- Thule Strap Lock
- Thule Bike Cover
- Thule Rear Warning Sign
- Thule Brake Straps
- Thule Bike Frame Adapter

309821	Thule Excellent - Standard - Anodised
302033	Thule Excellent - Standard - Black
309822	Thule Excellent - Short - Anodised
309823	Thule Excellent 3rd Rail Kit - Anodised
309824	Thule Excellent 4th Rail Kit - Anodised
302034	Thule Excellent 3rd Rail Kit - Black
302035	Thule Excellent 4th Rail Kit - Black



User instructions

# Thule Elite G2



Thule Elite G2 - Standard



Thule Elite G2 - Short

## INFO

### Thule Elite G2 - Standard

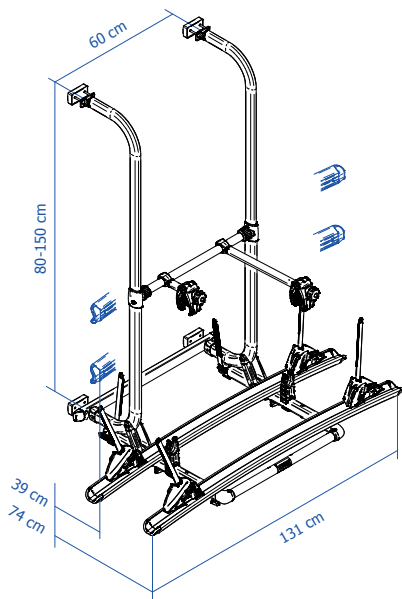
- 2 bikes, extendable to 3 or 4
- Weight 10.1 kg
- Max. loading weight 60 kg
- Max. bike weight 30 kg
- Max. bike weight 4<sup>th</sup> rail 15 kg
- Rail distance 15 cm
- For vertical walls between 80-150 cm
- Suitable for e-bikes
- This product is compliant with UN ECE R10 regulations (E4\_R26R04/00\*0615\*\*00, issued on 07/02/2024)

### Thule Elite G2 - Short

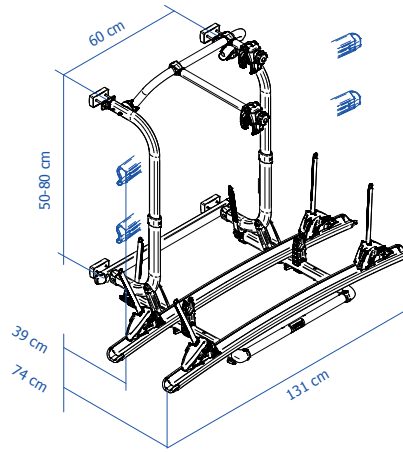
- 2 bikes, extendable to 3 or 4
- Weight 9.5 kg
- Max. loading weight 60 kg
- Max. bike weight 30 kg
- Max. bike weight 4<sup>th</sup> rail 15 kg
- Rail distance 15 cm
- For vertical walls between 50-80 cm
- Suitable for e-bikes

## FEATURES

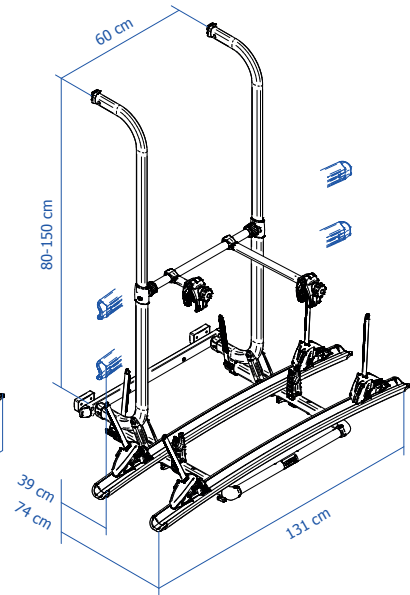
- Recommended for vertical motorhomes or caravan walls
- Robust oval profiles for extreme stability and solidity
- Sliding rails – easily adjustable from left to right
- Adjustable wheel holders with straps for easily securing bike wheels
- Easy mounting of bikes through detachable bike holders with lockable Thule AcuTight torque limiter knobs that click when optimal torque is reached
- The platform lock creates excellent dynamic force control and perfectly secures the bikes during transport
- The platform is locked manually and can easily be clicked in the upward position when not in use
- Fits all pre-installed fixation points and rails (except for Hymer) - alternative available for Hymer (ref. 306562)
- Standardly equipped with a Thule Bottom Mounting Rail



Thule Elite G2 - Standard



Thule Elite G2 - Short



Thule Elite G2 - Hymer Hooks

**EXTENSION KITS**

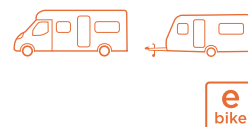
	<p>Thule Elite G2 3rd Rail Kit Rail + bike holder</p> <p>See 'Bike Rack Accessories'</p>
	<p>Thule Elite G2 4th Rail Kit Rail + adapter + bike holder</p> <p>See 'Bike Rack Accessories'</p>

**ACCESSORIES**

- Thule Fatbike Rail
- Thule Strap Lock
- Thule Bike Cover
- Thule Rear Warning Sign
- Thule Brake Straps
- Thule Bike Frame Adapter

306560	Thule Elite G2 - Standard
306561	Thule Elite G2 - Short
306562	Thule Elite G2 - HH (Hymer Hooks)
306565	Thule Elite G2 3rd Rail Kit
309824	Thule Elite G2 4th Rail Kit

## Thule Elite G2 One Bike

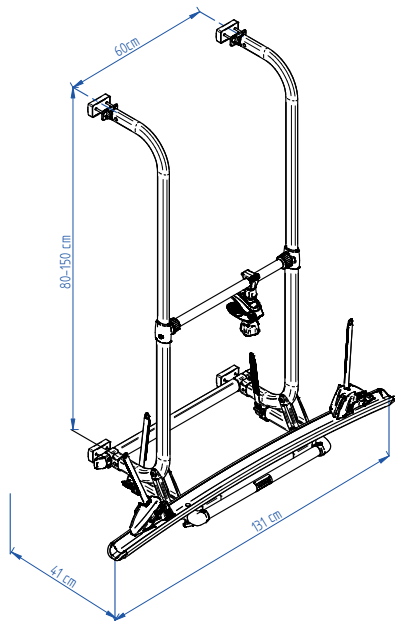


### INFO

- 1 bike
- Weight 6.7 kg
- Max. loading weight 30 kg
- For vertical walls between 80-150 cm
- Suitable for one e-bike
- This product is compliant with UN ECE R10 regulations (E4\_R26R04/00\*0615\*\*00, issued on 07/02/2024)

### FEATURES

- Recommended for vertical motorhomes or caravan walls
- Short platform to transport only one bike
- Especially for caravan users to have an equal load of two bikes on the caravan: one bike on the rear wall and one on the A-frame
- Robust oval profiles for extreme stability and solidity
- Sliding rail - easily adjustable from left to right
- Adjustable wheel holders with straps to easily secure the bike wheels
- Easy mounting of the bike through detachable bike holder with lockable Thule AcuTight torque limiter knob that clicks when optimal torque is reached
- The platform lock creates excellent dynamic force control and perfectly secures the bike during transport
- Standardly equipped with a Thule Bottom Mounting Rail



ACCESSORIES

- Thule Fatbike Rail
- Thule Strap Lock
- Thule Bike Cover
- Thule Rear Warning Sign
- Thule Brake Straps
- Thule Bike Frame Adapter

302047	Thule Elite G2 One Bike
--------	-------------------------

# Thule Sport G2



Thule Sport G2 - Standard



Thule Sport G2 - Short

## INFO

### Thule Sport G2 - Standard

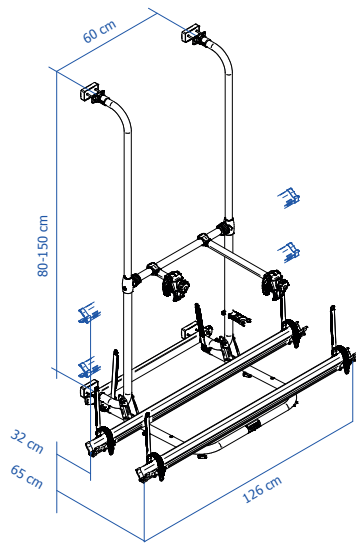
- 2 bikes, extendable to 3
- Weight 8.2 kg
- Max. loading weight 50 kg
- Max. bike weight 19 kg
- Rail distance 15 cm
- For vertical walls between 80-150 cm

### Thule Sport G2 - Short

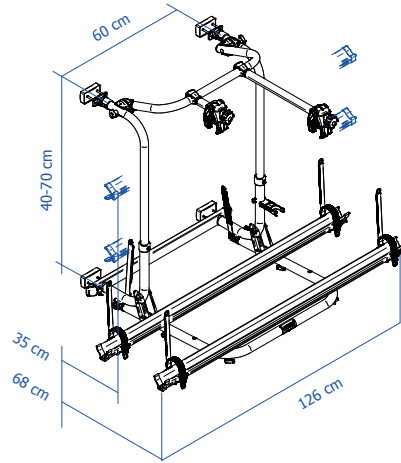
- 2 bikes, extendable to 3
- Weight 7.9 kg
- Max. loading weight 50 kg
- Max. bike weight 19 kg
- Rail distance 15 cm
- For vertical walls between 40-70 cm

## FEATURES

- Recommended for vertical motorhomes or caravan walls
- Sliding rails – easily adjustable from left to right
- Wheel straps that block the bike wheels, avoiding movement during transport
- Adjustable soft-touch bike holders to secure your bikes - optional locks available
- The platform lock creates excellent dynamic force control and perfectly secures the bikes during transport
- The platform is locked manually and can easily be clicked in the upward position when not being used
- Fits all pre-installed fixation points and rails (except for Hymer)
- Standardly equipped with a Thule Bottom Mounting Rail



Thule Sport G2 - Standard



Thule Sport G2 - Short

EXTENSION KIT

	<p>Thule Sport G2 3rd Rail Kit Rail + bike holder</p> <p>See 'Bike Rack Accessories'</p>
--	--

ACCESSORIES

- Thule Strap Lock
- Thule Knob with Lock
- Thule Bike Cover
- Thule Rear Warning Sign
- Thule Brake Straps
- Thule Bike Frame Adapter
- Thule E-bike Rail Kit for Sport G2

307126	Thule Sport G2 - Standard
307127	Thule Sport G2 - Short
306577	Thule Sport G2 3rd Rail Kit

# Thule Sport G2 Tour

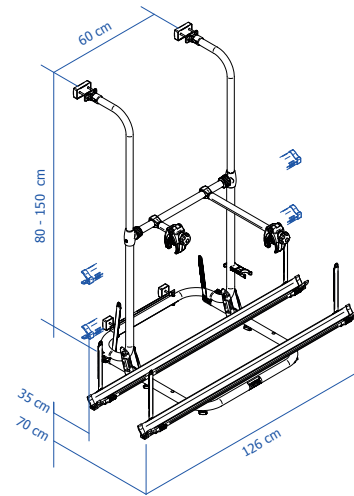


**INFO**

- 2 bikes, extendable to 3
- Weight 6.8 kg
- Max. loading weight 50 kg
- Max. bike weight 19 kg
- Rail distance 30 cm

**FEATURES**

- Suitable for motorhomes and caravan rear walls
- Possible to mount on curved rear walls as well
- Adjustable soft-touch bike holders to secure your bikes - optional locks available



306572	Thule Sport G2 Tour
306577	Thule Sport G2 3rd Rail Kit

# Thule Sport G2 Hobby

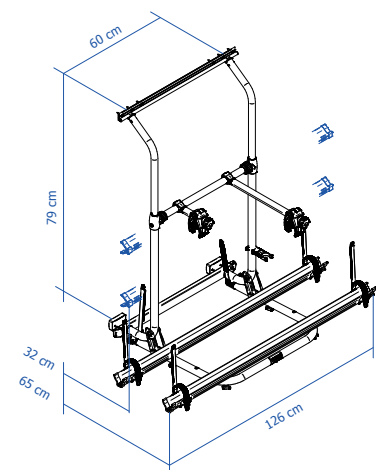


**INFO**

- 2 bikes, extendable to 3
- Weight 6.8 kg
- Max. loading weight 50 kg
- Max. bike weight 19 kg
- Rail distance 30 cm

**FEATURES**

- Suitable for Hobby caravans manufactured since 2004
- Standardly equipped with a bottom mounting rail
- Adjustable soft-touch bike holders to secure your bikes - optional locks available
- NOTE: special adapters available for Hobby caravans manufactured in 2014 and 2015



307128	Thule Sport G2 Hobby
306577	Thule Sport G2 3rd Rail Kit

# Thule Sport G2 Universal

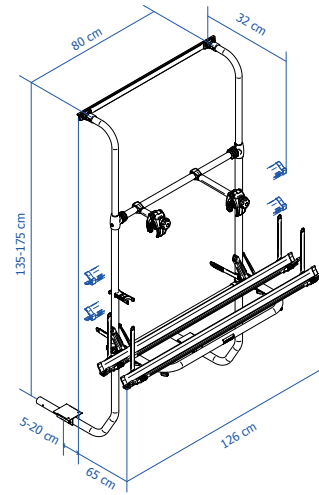


## INFO

- 2 bikes
- Weight 8 kg
- Max. loading weight 38 kg
- Max. bike weight 19 kg
- Rail distance 15 cm

## FEATURES

- Suitable for caravan rear walls
- Recommended in case of limited space due to a window or bumper
- Attached under the base of the caravan
- Adjustable soft-touch bike holders to secure your bikes - optional locks available



306563	Thule Sport G2 Universal
--------	--------------------------

# Thule Essential



Thule Essential - Standard



Thule Essential - Short

## INFO

### Thule Essential - Standard

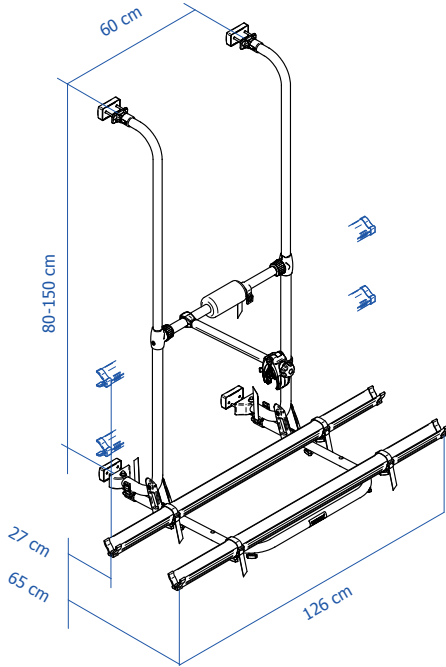
- 2 bikes, extendable to 3
- Weight 7.9 kg
- Max. loading weight 50 kg
- Max. bike weight 19 kg
- Rail distance 15 cm
- For vertical walls between 80-150 cm

### Thule Essential - Short

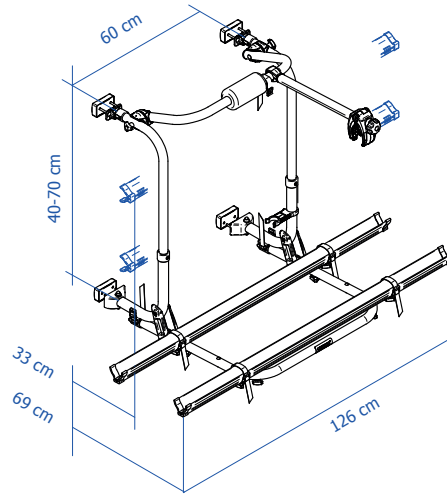
- 2 bikes, extendable to 3
- Weight 7.1 kg
- Max. loading weight 50 kg
- Max. bike weight 19 kg
- Rail distance 15 cm
- For vertical walls between 40-70 cm

## FEATURES

- Recommended for vertical motorhomes or caravan walls
- Modern and intelligent design
- Steel platform for optimal stability
- Sliding rails – easily adjustable from left to right
- Ultra-resistant and adjustable fabric straps to attach to the wheels
- Adjustable soft-touch bike holder to secure one bike - optional lock available
- The platform lock creates excellent dynamic force control and perfectly secures the bikes during transport
- The platform is locked manually and can easily be clicked in the upwards position when not being used
- Most pieces of the bike rack are delivered pre-assembled
- Easy-to-install: the Thule Universal Hook fits all pre-installed fixation points and rails (except for Hymer)
- Old Thule fixation points can be replaced if necessary

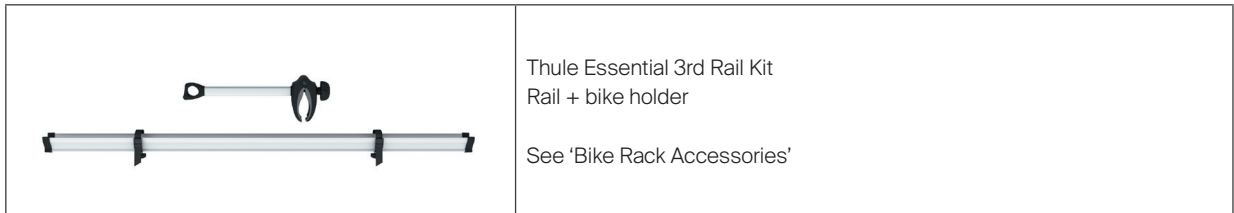


Thule Essential - Standard



Thule Essential - Short

EXTENSION KIT



ACCESSORIES

- Thule Strap Lock
- Thule Knob with Lock
- Thule Bike Cover
- Thule Rear Warning Sign
- Thule Brake Straps
- Thule Bike Frame Adapter

309825	Thule Essential - Standard
309826	Thule Essential - Short
309827	Thule Essential 3rd Rail Kit

# Thule VeloSlide



Closed



Opened

## INFO

### Thule VeloSlide - Standard

- 2 bikes
- Weight 20.9 kg
- Max. loading weight 70 kg
- Max. bike weight 35 kg

### Thule VeloSlide - Short

- 2 bikes
- Weight 19.9 kg
- Max. loading weight 70 kg
- Max. bike weight 35 kg

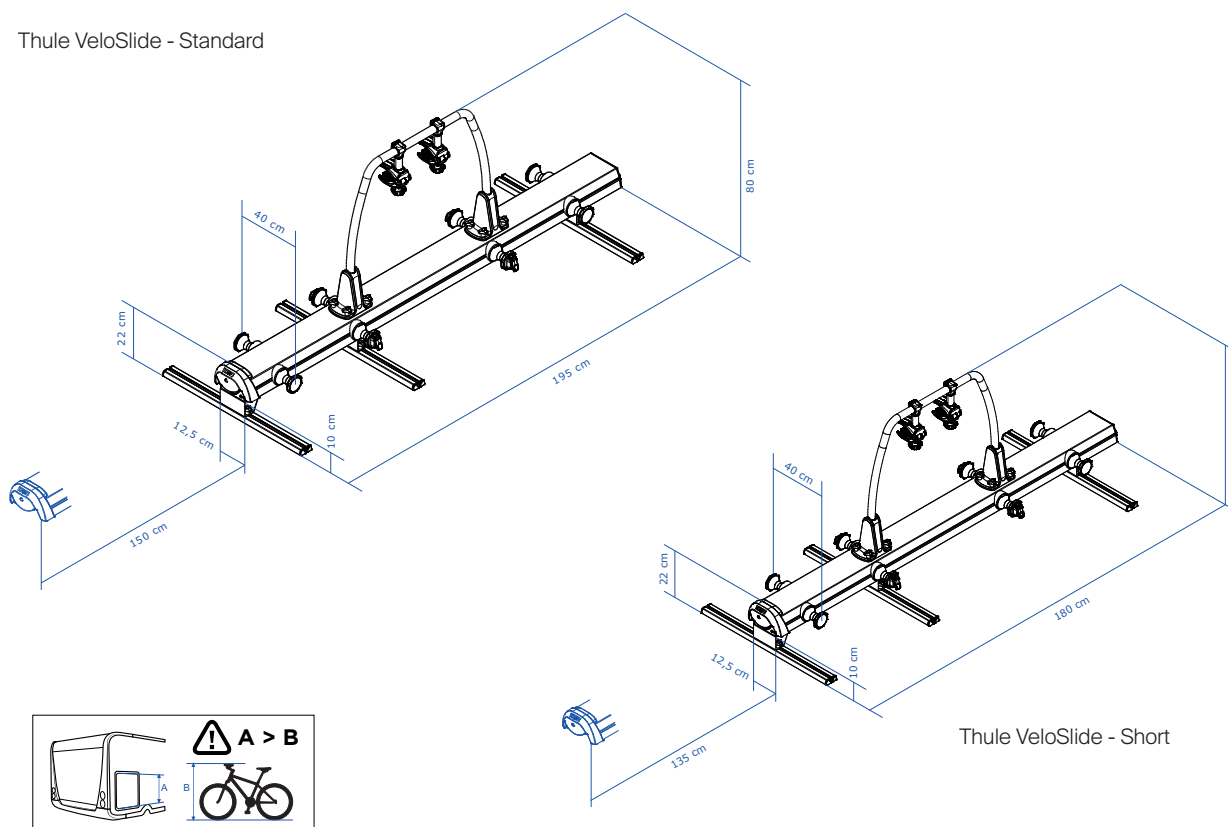
## SPECIFICATIONS

- Carries 2 bikes up to 70 kg in total
- Ultra-convenient and easy-to-use due to one-handed operation
- Takes up limited amount of space

## FEATURES

- Mounted in the vehicle's garage space
- Fits larger bikes through its optimal use of vertical space. Please ensure your RV garage is high enough for your bikes
- If needed, you can lower the top point of the bikes with +/- 10cm by replacing the front wheel of the bike with a Thule Fork-mount Adapter (Quick Release / Thru Axle) - see chapter 'Bike Rack Accessories'
- Both models can be installed in the driving direction
- NOTE: car seats and rear compartment need to be divided by a suitable partitioning system.
- The bike rack may not be mounted in the same room as the travelers
- Mounting rails available in two lengths - sold separately
- Safe transportation of 2 e-bikes, up to 70 kg in total
- Convenient and comfortable handling of the bikes - all done while standing outside
- Slides out up to 1.35 meter (short model) or up to 1.50 meter (standard model)
- Slides partially into the garage for easy access to other cargo around the bike rack
- Adjustable soft-touch bike holders to hold secure your bikes - optional locks available
- Wheel fixations with pump buckle straps in order to keep your bike wheels in position
- Bike's position can be optimised without tools - even while the bike is already attached to the rack
- Takes up little space when not being used - the rack can be slid (without bikes) to one side or removed completely, leaving only the mounting rails on the garage floor

Thule VeloSlide - Standard



Thule VeloSlide - Short

ACCESSORIES

- Thule Bike Frame Adapter
- Thule Forkmount Adapter Kits for Thule VeloSlide

MOUNTING RAILS



Thule VeloSlide Mounting Rails  
70 cm  
(1 set = 3 pieces)



Thule VeloSlide Mounting Rails  
140 cm  
(1 set = 3 pieces)

302014	Thule VeloSlide - Standard
302044	Thule VeloSlide - Short
302015	Thule VeloSlide Mounting Rails - 70 cm
302016	Thule VeloSlide Mounting Rails - 140 cm



User instructions

# Thule Sport G2 Garage

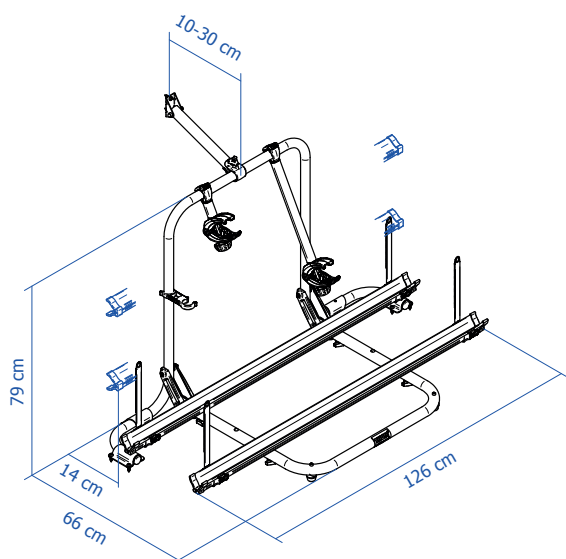


## INFO



- 2 bikes, extendable to 3 or 4
- Weight 5.6 kg
- Max. loading weight 50 kg
- Max. bike weight 19 kg
- Rail distance 15 cm

## FEATURES

- Suitable for motorhomes and caravans
- Fixed inside the garage compartment
- Adjustable soft-touch bike holders to secure your bikes
- Foldable when not being used



EXTENSION KITS

	<p>Thule Sport G2 3rd Rail Kit Rail + bike holder</p> <p>See 'Bike Rack Accessories'</p>
	<p>Thule Sport G2 Garage 4th Rail Kit Rail + bike holder</p> <p>See 'Bike Rack Accessories'</p>

ACCESSORIES

- Thule Brake Straps
- Thule Bike Frame Adapter

306574	Thule Sport G2 Garage
306577	Thule Sport G2 3rd Rail Kit
306578	Thule Sport G2 Garage 4th Rail Kit

## Bike Racks for caravans - Fit Guide

The range designed for A-frames

	Thule Caravan Superb Standard	Thule Caravan Superb Short V16	Thule Caravan Superb XT Standard Black	Thule Caravan Superb XT Short	Thule Caravan Smart	Thule Caravan Light
Product No.	307130	307329	302031	Ano: 302078 Black: 302030	307129	306598
Number of bikes	2 + 1 (+ 307131)	2	2 + 1 (+ 302032)	2	2	2
Suitable for e-bikes	Yes	Yes	Yes	Yes	Yes	No
Max. loading weight	60 kg	60 kg	60 kg	60 kg	50 kg	40 kg
Max. bike weight	30 kg	30 kg	30 kg	30 kg	30 kg	20 kg
Max. tire width	2.1" / 53 mm	2.1" / 53 mm	2.75" / 70 mm	2.75" / 70 mm	2.1" / 53 mm	2.1" / 53 mm
Weight	9.7 kg	9.6 kg	10 kg	9.9 kg	8.9 kg	4.7 kg
Suitable for short A-frames	No	Yes	No	Yes	Yes	No
Tiltable with bikes on	Yes	Yes	Yes	Yes	Yes	No
Adjustable Tilt-Stop System	Yes	Yes	Yes	Yes	Yes	No
Bike holders	integrated locks	integrated locks	integrated locks	integrated locks	integrated locks	straps + foam pads
Wheel holders	Sport G2 straps	Sport G2 straps	straps with pump buckle system	straps with pump buckle system	Sport G2 straps	Sport G2 straps

## FEATURES

### Locking mechanism:

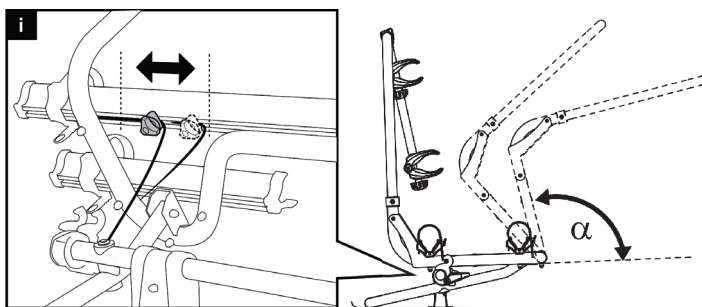
Easy to lock the tiltable platform to the base frame, no loose parts.

Important: both sides need to be locked!

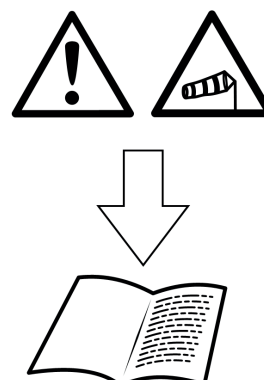
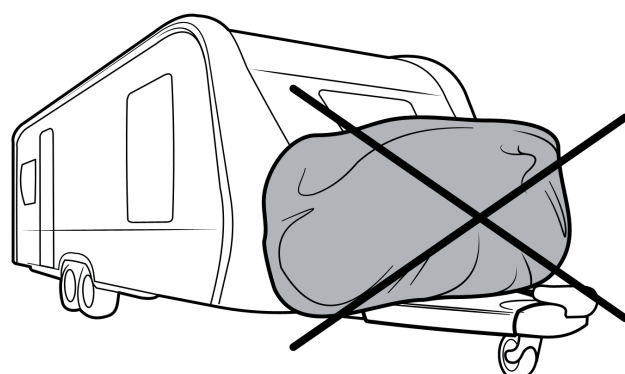
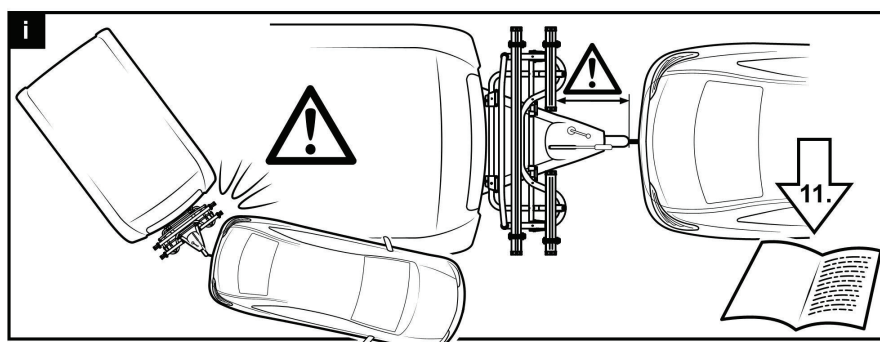


### Adjustable Tilt-Stop System:

Enables you to set the maximum angle to tilt the bike rack



## SAFETY INSTRUCTIONS



# Thule Caravan Superb



Thule Caravan Superb - Standard



Thule Caravan Superb - Short V16

## INFO

### Thule Caravan Superb - Standard

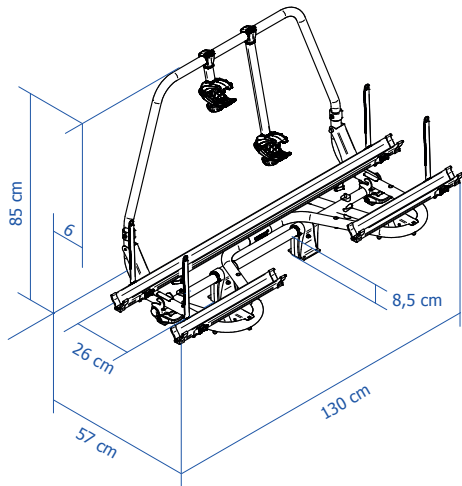
- 2 bikes, extendable to 3
- Weight 9.7 kg
- Max. loading weight 60 kg
- Max. bike weight 30 kg
- Rail distance 28 cm
- Suitable for e-bikes  
(max. 2 e-bikes or 3 regular bikes)

### Thule Caravan Superb - Short V16

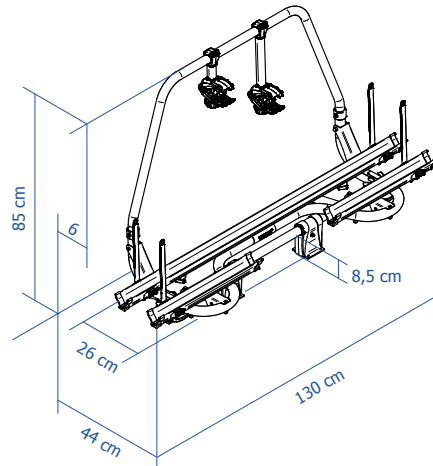
- 2 bikes
- Weight 9.6 kg
- Max. loading weight 60 kg
- Max. bike weight 30 kg
- Rail distance 20 cm
- Suitable for e-bikes

## FEATURES

- Recommended for normal A-frames (for short A-frames, use the Thule Caravan Superb Short V16, Thule Caravan Superb XT Black Short or the Thule Caravan Smart)
- Easy to mount bikes thanks to the lowered platform
- Completely tiltable with bikes on, providing easy access to the front locker of the caravan
- Adjustable Tilt-Stop System for one hand handling and protection of the car
- Ergonomic and high security platform lock
- Easy mounting of bikes through detachable bike holders with lockable Thule AcuTight torque limiter knobs that click when optimal torque is reached



Thule Caravan Superb - Standard



Thule Caravan Superb - Short V16

EXTENSION KIT (only for standard version)

	<p>Thule Caravan Superb 3rd Rail Kit Rail + bike holder</p> <p>See 'Bike Rack Accessories'</p>
--	--

ACCESSORIES

- Thule Fatbike Rail
- Thule Strap Lock
- Thule Brake Straps
- Thule Bike Frame Adapter

307130	Thule Caravan Superb - Standard
307329	Thule Caravan Superb - Short V16
307131	Thule Caravan Superb 3rd Rail Kit



User instructions

# Thule Caravan Superb XT



Thule Caravan Superb XT - Standard



Thule Caravan Superb XT - Short

## INFO

### Thule Caravan Superb XT - Standard

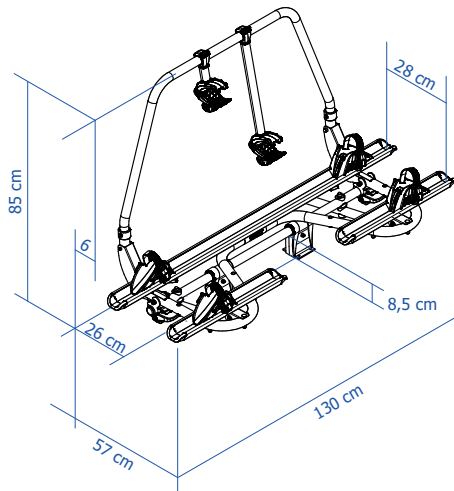
- Black
- 2 bikes, extendable to 3
- Weight 10 kg
- Max. loading weight 60 kg
- Max. bike weight 30 kg
- Rail distance 28 cm
- Suitable for e-bikes  
(max. 2 e-bikes or 3 regular bikes)

### Thule Caravan Superb XT - Short

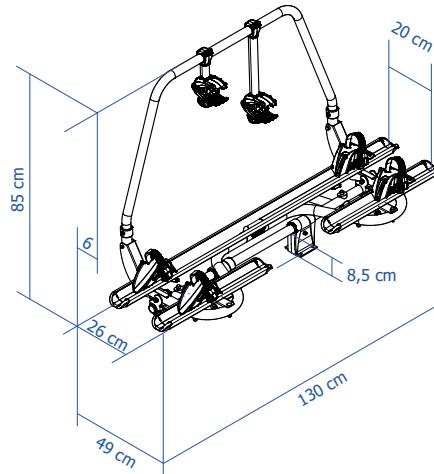
- Anodised or Black
- 2 bikes
- Weight 9.9 kg
- Max. loading weight 60 kg
- Max. bike weight 30 kg
- Rail distance 20 cm
- Suitable for e-bikes

## FEATURES

- Stylish design
- Easy to mount bikes thanks to the lowered platform
- Adjustable wheel holders with straps with pump buckle tensioning system, that easily secure the bike wheels
- Easy mounting of bikes due to detachable bike holders with lockable Thule AcuTight torque limiter knobs that click when optimal torque is reached
- Completely tiltable with bikes already mounted, providing easy access to the front locker of the caravan
- Adjustable Tilt-Stop System for one hand handling and protection of the car
- Ergonomic and high-security platform lock



Thule Caravan Superb XT - Standard



Thule Caravan Superb XT - Short

EXTENSION KIT (only for standard version)

	<p>Thule Caravan Superb XT Black 3rd Rail Kit Rail + bike holder</p> <p>See 'Bike Rack Accessories'</p>
--	---

ACCESSORIES

- Thule Fatbike Rail
- Thule Strap Lock
- Thule Brake Straps
- Thule Bike Frame Adapter

302031	Thule Caravan Superb XT Black - Standard
302030	Thule Caravan Superb XT Black - Short
302078	Thule Caravan Superb XT Anodised - Short
302032	Thule Caravan Superb XT Black 3rd Rail Kit

# Thule Caravan Smart



## INFO

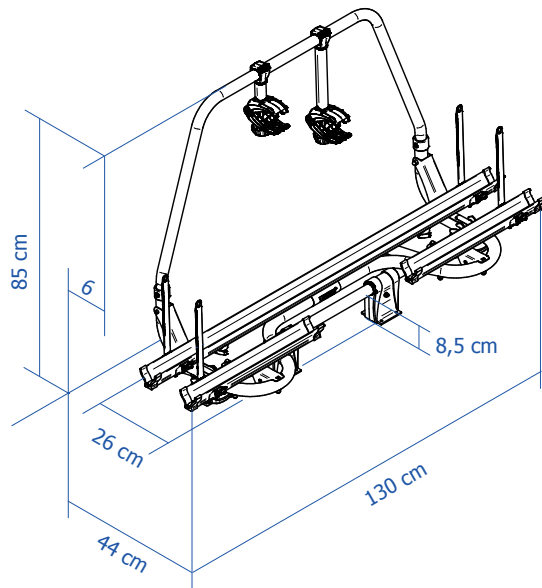
- 2 bikes (max. 1 e-bike or 2 regular bikes)
- Weight 8.9 kg
- Max. loading weight 50 kg
- Max. bike weight 30 kg
- Rail distance 15 cm

## FEATURES

- Recommended for normal and short A-frames
- Easy to mount bikes thanks to the lowered platform
- Completely tiltable with bikes already mounted, providing easy access to the front locker of the caravan
- Adjustable Tilt-Stop System for one hand handling and protection of the car
- Ergonomic and high-security platform lock
- Easy mounting of bikes through detachable bike holders with lockable Thule AcuTight torque limiter knobs that click when optimal torque is reached

## ACCESSORIES

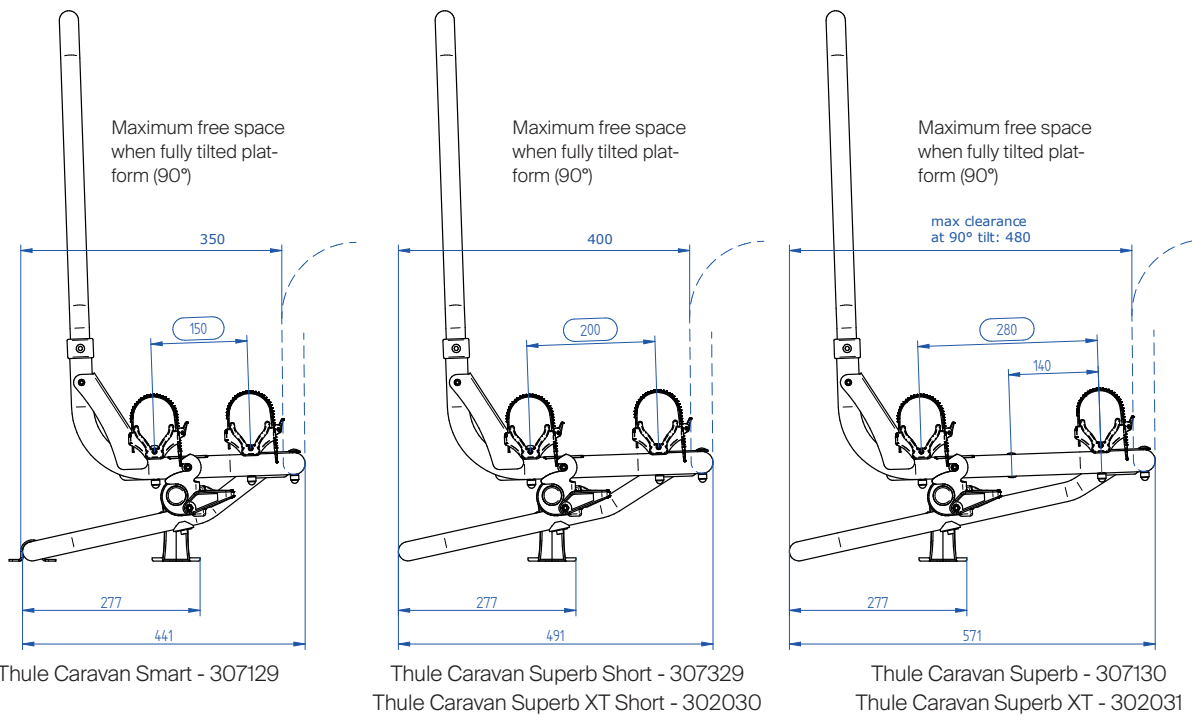
- Thule Strap Lock
- Thule Knob with Lock
- Thule Brake Straps
- Thule Bike Frame Adapter



307129	Thule Caravan Smart
--------	---------------------

COMPARED DIMENSIONS - Thule Caravan Smart / Superb SV / Superb

NOTE - The maximum tilt angle depends on bikes and the type of A-frame



# Thule Caravan Light

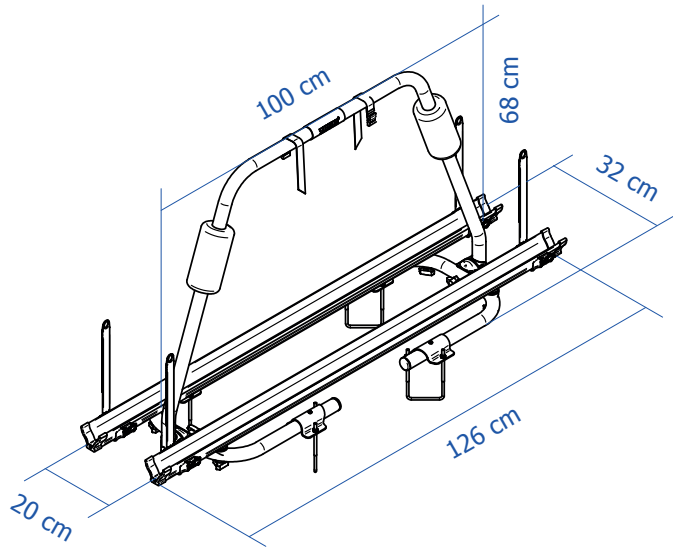


## INFO

- 2 bikes
- Weight 4.7 kg
- Max. loading weight 40 kg
- Max. bike weight 20 kg

## FEATURES

- Foam that prevents the bikes from damage during transport
- Wheel and bike holder straps that make it easier to fix the bikes
- Partly tiltable - the bikes need to be removed in order to access the storage space



ACCESSORIES

- Thule Strap Lock
- Thule Bike Holder 1 with AcuTight lock
- Thule Brake Straps

306598	Thule Caravan Light
--------	---------------------

# Thule WanderWay



## INFO

- 2 bikes, extendable to 3 or 4
- Weight 12.4 kg (2), 14.8 kg (3), 16.9 kg (4)
- Max. loading weight 60 kg
- Max. bike weight 30 kg (2-bike) - 20 kg (3-bike) - 15 kg (4-bike)
- Distance between bikes 1-2 bike 31 cm (16cm if 3rd Rail Adapter)  
2-3 bike 15 cm  
2-4 bike 15 cm
- Suitable for e-bikes

## FEATURES

- Quick and simple to mount thanks to the dedicated fit to the VW T6 compact van (! does not fit VW T5)
- Standardly carries two bikes. Possible to increase the load capacity up to 4 bikes by adding a 3rd- and 4th bike adapter
- Sliding rails – easily adjustable from left to right
- Adjustable wheel holders with straps featuring a pump buckle tensioning system to easily secure the bike wheels
- Easy mounting of bikes through detachable bike holders with lockable Thule AcuTight torque limiter knobs that click when optimal torque is reached
- Possible to open the vehicle trunk without any mounted bikes
- The platform folds up vertically when not in use and folds flat for easy transport and convenient storage

## DIMENSIONS

- Folded: 91 x 152 x 47 cm
- Unfolded: 91 x 152 x 111 cm

## ACCESSORIES

- Thule Strap Lock
- Thule Brake Straps

911002	Thule WanderWay Black
911602	Thule WanderWay 3rd Rail Kit Black
911702	Thule WanderWay 4th Rail Kit Black

# Thule VeloTrack



## INFO

- 2 bikes, extendable to 3
- Suitable for e-bikes
- Weight 24 kg
- Max. loading weight 60 kg
- Max. bike weight 30 kg
- Rail distance 23 cm
- Max. tire width 3" (5" with additional Fatbike Adapter)

## SPECIFICATIONS

- Open the rear door, even with e-bikes loaded
- Easier to load bikes thanks to the lower position on your van
- Load more bikes, load bigger bikes

## FEATURES

1. Safe transportation of 2 e-bikes, or extended to 3 bikes up to 60 kg (with 3rd bike adapter sold separately)
2. No drilling required: The bike rack is glued and clamped to the rear door and connected to the hinges
3. Platform can be mounted on 3 height positions, great if you need to load heavy bikes at lower height
4. The stronger, longer rails of 147 cm (incl. end caps) and 23 cm distance between the rails enabling easier loading of larger bikes
5. Optional lightboard (sold separately) allows you to install the Thule VeloTrack on the lowest position on your van, making it easier to load heavy bikes
6. Thule VeloTrack Frame, rails and lightboard are sold separately, which make it that Thule Elite Van XT owners can easily upgrade to the Thule VeloTrack
7. Developed specifically for the Fiat Ducato, Peugeot Boxer, Citroën Jumper from 2006 onwards and the new Opel Movano from 2022 onwards

#### REMARKS

- Thule VeloTrack doesn't fit DuJuBo H1 models
- Thule VeloTrack is not suitable for mounting on rear doors which open 270°

#### DIMENSIONS

##### PRODUCT

68.5 x 165 x 137.5 cm (WxLxH)

##### PACKAGING

82 x 142 x 22 cm (WxLxH)

302070	Thule VeloTrack Frame
302073	Thule Mounting Rail Ducato/Jumper/Boxer Top + Bottom Black
302071	Thule VeloTrack 3rd Rail
302072	Thule Lightboard Van
302074	Thule Lightboard Van UK
598101	Thule ProRide Fat Bike Adapter
302075	Thule Wiring Kit Stellantis > 2011
302076	Thule Wiring Kit Stellantis < 2011
302080	Thule Wiring Kit Stellantis Trailer Pack

# Thule Elite Van XT



Thule Elite Van XT - Anodised



Thule Elite Van XT - Black

## INFO

- 2 bikes, not extendable
- Weight 10.5 kg
- Max. loading weight 35 kg
- Max. bike weight 19 kg
- Rail distance 20 cm
- This product is compliant with UN ECE R10 regulations (certificate n° E4\_R26R04/00\*0614\*00, issued on 07/02/2024)

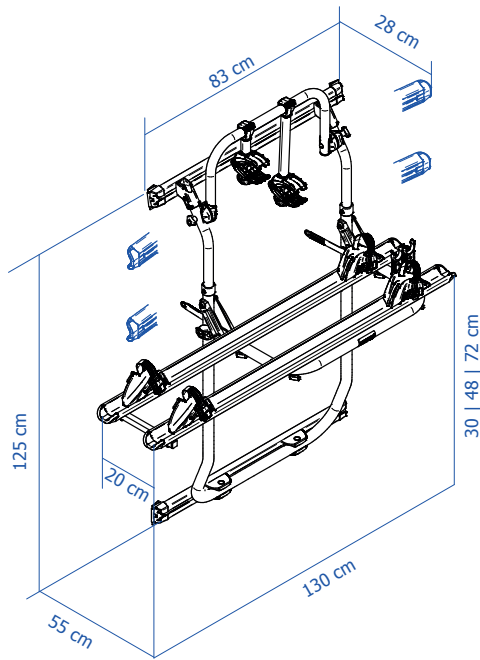
## SPECIFICATIONS

- Stylish design
- Quick and easy installation without drilling in the door
- Perfect finish

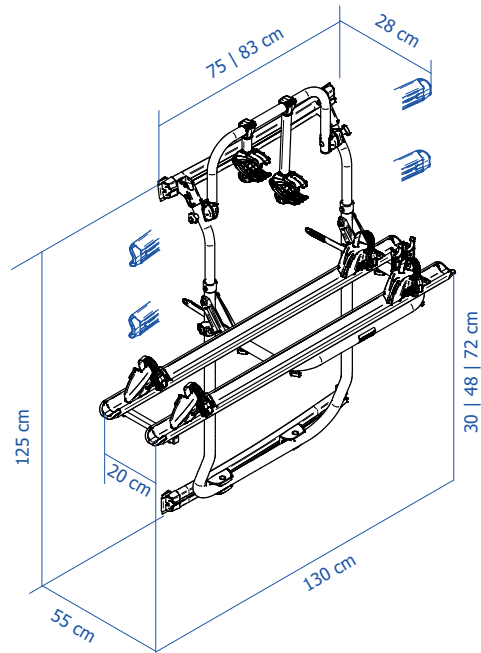
## FEATURES

- Suitable for rear doors of Ducato, Jumper and Boxer vans manufactured from 2007 onwards (307340/302013)
- Suitable for rear doors of Volkswagen Crafter vans manufactured from 2017 onwards (302018)
- Suitable for rear doors of Sprinter vans manufactured from 2006 onwards and VW Crafter vans before 2017 (302043)
- Special variant designed for the Ford Transit H3
- Only suitable for H2 and H3 models
- The black version perfectly fits vans with a sporty and off-road look
- Bike rack is clamped and glued on the rear door and requires no drilling
- Platform is adjustable to 3 height positions - see drawing next page
- Rubber sealing strips create a perfect finish, even when the bike rack is taken off
- Adjustable wheel holders with straps featuring a pump buckle tensioning system to easily secure the bike wheels
- Easy mounting of bikes through detachable bike holders with lockable Thule AcuTight torque limiter knobs that click when optimal torque is reached
- 20 cm distance between the rails enables easier loading of the bikes
- Rear doors can be opened while bikes are mounted
- Smart connections from bike rack to mounting rails - easy to unhook and take the bike rack off when not being used
- Not suitable for mounting on rear doors which open 270°
- Not suitable for DuJuBo H1 models

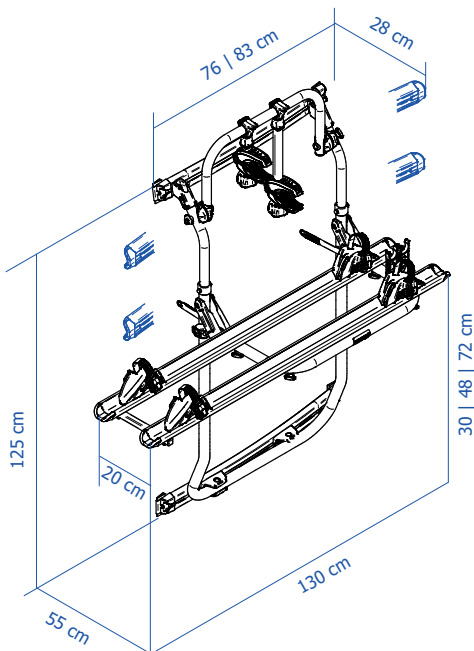
DIMENSIONS



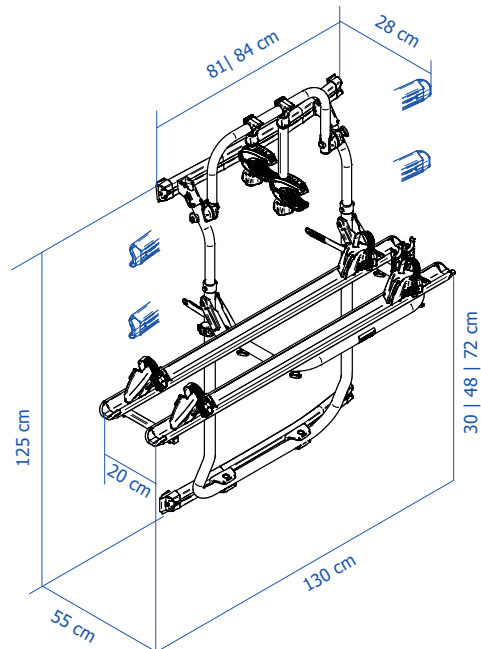
Thule Elite Van XT - Anodised/Black  
Ducato, Jumper, Boxer ≥ 2007  
(307340/302013)



Thule Elite Van XT - Black  
VW Crafter ≥ 2017  
(302018)

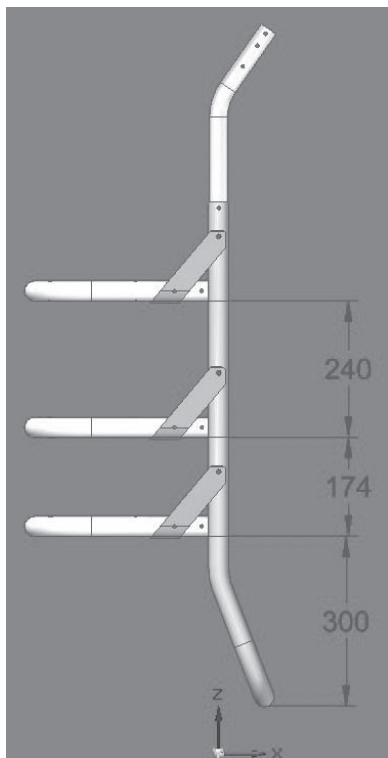


Thule Elite Van XT - Black  
Sprinter > 2006 + VW Crafter < 2017  
(302043)



Thule Elite Van XT - Black  
Ford Transit H3  
(302067)

PLATFORM - 3 HEIGHT POSITIONS

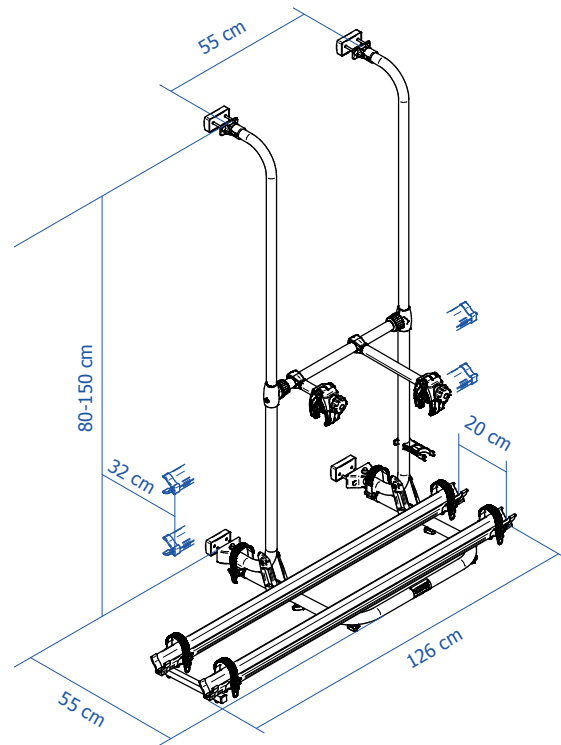


ACCESSORIES

- Thule Strap Lock
- Thule Knob with Lock
- Thule Brake Straps
- Thule Rear Warning Sign
- Thule Bike Frame Adapter

307340	Thule Elite Van XT - Anodised (Ducato, Jumper, Boxer)
302013	Thule Elite Van XT - Black (Ducato, Jumper, Boxer)
302018	Thule Elite Van XT - Black (VW Crafter)
302043	Thule Elite Van XT - Black (Sprinter, VW Crafter)
302067	Thule Elite Van XT - Black Ford Transit H3

# Thule Sport G2 Compact



## INFO

- 2 bikes, not extendable
- Weight 7.2 kg
- Max. loading weight 35 kg
- Max. bike weight 19 kg
- Rail distance 20 cm
- For rear doors between 80-150 cm

## FEATURES

- Compact design
- Suitable for vans with double rear doors and for vehicles with curved surfaces thanks to a 4 point fixation system
- Rear doors can be opened while bikes are mounted
- Frame width: 55 cm center to center (horizontal frame dimension)
- Mounted through the door with bolts and mounting plates
- Vehicle door should be reinforced if necessary
- Adjustable soft-touch bike holders to secure your bikes - optional locks available
- Not suitable for Ducato/Jumper/Boxer vans

## ACCESSORIES

- Thule Strap Lock
- Thule Knob with Lock
- Thule Brake Straps
- Thule Rear Warning Sign
- Thule Bike Frame Adapter

307341

Thule Sport G2 Compact

# Thule VeloSpace 3 - 3-bike



9033100 - Thule VeloSpace 3 - 3-bike

## INFO

- |                                |  |
|--------------------------------|--|
| • Weight                       | 21 kg  |
| • Max. loading weight          | 60 kg  |
| • Max. bike weight             | 30 kg  |
| • Max. number of bikes         | 3  |
| • Wheelbase range              | 1350 mm                                      |
| • Wheel size range             | 16-29"                                       |
| • Max. tire width              | 3" (4,7" with Thule Extra Long Wheel Straps) |
| • Distance between bikes       | 19 cm  |
| • Product folded (L x W x H)   | 133 x 73 x 25 cm                             |
| • Product unfolded (L x W x H) | 133 x 73 x 82 cm                             |

## FEATURES

- One-handed operated bike arms with strap for easy loading and unloading of all types of bikes
- Accommodates wheelbases up to 1350 mm and bikes up to 30 kg - ideal for e-bikes, mountain bikes and more
- Adjustable tilt angle from 50 to 65° to open trunk of compact van with high mounted rear door
- Easy mounting and adjustment of the bike rack before closing the tightening handle, thanks to the towbar coupling's initial stability
- Bring more bikes with the addition of an easy-to-use bike adapter
- Easy trunk access with or without bikes loaded thanks to smart foot pedal tilt

9033100	Thule VeloSpace 3 - 3-bike
---------	----------------------------

Thule VeloSpace 3 - trunk clearance

2 Bike	3 Bike 47°	3 Bike 65°		2 Bike	3 Bike 47°	3 Bike 65°	
OK	OK	OK	Audi Q3 2023 (ZSJ 00Y)	OK	OK	OK	Lexus NX450h+ 2022 (N/A)
OK	OK	OK	Audi E-Tron Sportback 55 2023 (BYB 28B)				
OK	OK	OK	Audi A4 Allroad Quattro 2023 (RAD 33B)	OK	OK	OK	Mazda CX-5 2.6 AWD 2018 (RHC 347)
OK	OK	OK	Audi Sportback 55 2023 (WGJ00L?)				
OK	OK	OK	Audi Q3 35 TFSI 2023 (WFH 84I?)				Mercedes Marco polo 2023
OK	OK	OK	Audi A4 Avant 40 TDI 2023 (ULR 00H?)	OK	OK	OK	Mercedes E 300 de Estate 2020 (RGK 54U)
OK	OK	OK	Audi E-Tron 55 2023 (ZCE 21C)	OK	OK	OK	Mercedes E 220 D Allterrai 2020 (FMZ 37G)
							Mercedes EQC 400 4Matic 2021 (ENZ 96I)
OK	OK	OK	BMW 430i xDrive Gran Coupe 2023 (NRA 02L)	OK	OK	OK	Mercedes CLA 220 d Shooting Brake 4Matic 2016 (YEY 388)
OK	OK	OK	BMW 320d xDrive 2021 (CLT 85G)	OK	OK	OK	Mercedes GLA 220 CDI 4Matic 2014 (CWL 368)
OK	OK	OK	BMW X2 25e xDrive (SOZ 303)	OK	OK	OK	Mercedes GLS 63 AMG 2021 (N/A)
OK	OK	OK	BMW X4 M40i 2022 (TBB285)	OK	OK	OK	Mercedes GLB 200 D 2022 (N/A)
OK	OK	OK	BMW X3 xDrive 30e 2020 (KZY 29M)	OK	OK	OK	Mercedes GLC 300 DE 4Matic 2022 (APD 23L)
OK	OK	OK	BMW 530e xDrive Touring 2021 (KCM 81X)	OK	OK	OK	Mercedes GLC 300 DE COUPE 4Matic 2022 (N/A)
OK	OK	OK	BMW 225e xDrive Active Toure 2023 (EBS 07A)				Mercedes V-class 2020
OK	OK	OK	Citroen C4 Picasso e-HDi 2013 (OCG 971)	OK	OK	OK	Mitsubishi Outlander PHEV Business 2019 (CXX 839)
			Ford Tourneo Custom 2025	OK	OK	OK	Nissan Qashqai 2.0 dCi 4x4 2008 (HWL 247)
			Ford tourneo Custom 2023				
OK	OK	OK	Ford Kuga Hybrid AWD 2022 (N/A)	OK	OK	OK	Peugeot 3008 GT 2021 (MOX 02T)
OK	OK	OK	Ford Mondeo Hybrid 2021 (NLG 83T)	OK	OK	OK	Peugeot 508 hybrid 2021 (FON 46F)
OK	OK	OK	Hyundai i30 2022 (SMD 40G)				Renault traffic 2022
OK	OK	OK	Hyundai Tucson 1.7 CRDi 2017 (GMW 464)	OK	OK	OK	Renault Megane E-Tech Electric 2022 (OGR 85H)

2 Bike	3 Bike 47°	3 Bike 65°		2 Bike	3 Bike 47°	3 Bike 65°
OK	OK	OK	Skoda ENYAQ iV RS 2022 (XGA 60K)		OK	VW T7 Multivan 2023
OK	OK	OK	Skoda Scala 2022 (UBG 17Z?)	OK	OK	ID.buzz
OK	OK	OK	Skoda Superb iV 2022 (WCT 98M)	OK	OK	VW Golf 4motion 2022 (FBX 55U)
OK	OK	OK	Subaru Legacy Outback AWD 2.5i 2017 (ULW 904)	OK	OK	VW ID.5 Pro 2023 (WWA 07K)
OK	OK	OK	Tesla Model X 75D 2018 (CRB 821)	OK	OK	VW Tiguan 2021 (YWG 72B)
OK	OK	OK	Toyota C-HR 2018 (XNT 951)	OK	OK	VW Touran 1.4 TSI 2017 (YME 146)
OK	OK	OK	Toyota ProAce 2023 (PSA Group Chassi)	OK	OK	VW ID. Buzz Pro 2023 (FSC 72B)
OK	OK	OK	Toyota RAV 4 Hybrid 2020 (ZCM 20K)	OK	OK	VW ID.4 Pro 2021 (ZLO 230)
OK	OK	OK	Volvo V90 T6 AWD Recharge (N/A)	OK	OK	VW Passat GTE 2020 (KTL 81D)
OK	OK	OK	Volvo C40 2022 (UDK 69G)	OK	OK	VW Caddy 2.0 TDI 2015 (FTN 542?)
OK	OK	OK	Volvo XC40 P8 Recharge 2022 (OCC 22W)	OK	OK	VW Multivan 2016
OK	OK	OK	Volvo XC90 B5 AWD (N/A)	OK	OK	VW California T6 2013
OK	OK	OK	Volvo XC60 D4 2016 (LTZ 475)	OK	OK	VW California T6 2022
OK	OK	OK	Volvo XC60 D4 2019 (SMT 170)			
OK	OK	OK	Volvo V60 Cross Country D4 2020 (XLG 40K)			